



ENGLISH

C5

C6

C8

Coaxial Ceiling
Hifi Speaker

OWNER'S MANUAL
Version 1.2 Winter, 2019


By syncrotek

PRODUCT DESCRIPTION

Thank you for choosing Noxaudio High-Fidelity ceiling speakers. Please spend time to read and review this owner manual for the detailed descriptions and diagrams to familiarize yourself with the product.

Noxaudio's coaxial ceiling Hifi speakers offer uncompromised audio performance for architecture installations with C5, C6 and C8, designed for background music, serving the quality of music as well as the intelligibility of speech. The ceiling speakers are built using a coaxial speaker consisting of a Polypropylene Woofer cone and a Mylar Dome Tweeter. The speaker's front panel is built with high quality moulded ABS and equipped with perforated metal grill. Four mounting clamps provided. Easy installation is achievable through the 4 clamps by simply turning the mounting screws clockwise on the front panel.

A low-impedance (8-ohm) input is provided. The push button binding post input terminals provide easy wire connection for input as well as loop-through to the next speaker.

IMPORTANT

Please read this manual carefully and Save it for future reference. Follow all warnings and instructions marked on the product.

Handle the product with care and do not place it on an unstable cart, stand or table. The product may fall, causing serious damage to the product or individuals handling it.

Never use damp or spill liquid of any kind on the product and clean it only with a dry cloth.

Do not attempt to service this product yourself, as opening or removing covers may expose you to dangerous voltage points or other risks. Refer all servicing to qualified service personnel.

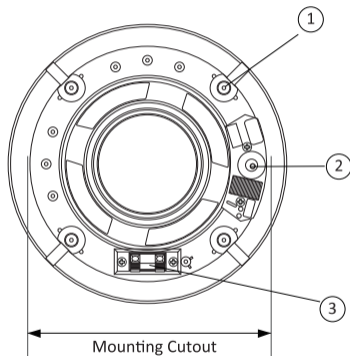
If the product does not operate normally when the instructions are followed or the product has been dropped or damaged or the product exhibits a distinct change in performance, please refer it to an authorized service center.

Use the necessary care to avoid hearing damage when using the product at close distance and high sound pressure levels, if so, please use an adequate hearing protection.

Connect the speaker either as low impedance or voltage line connection. Never mix connections or insert more than one amplifier into the input of the speaker and also do not use multi tap connection in one speaker.

To obtain the best performance, positioning of the speaker correctly. Refer to professional acoustics installer.

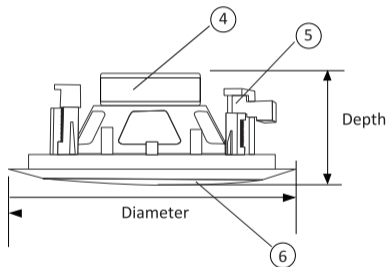
PRODUCT DIAGRAMS



Rear Drawing:

1. Mounting clamps (x4)
2. Crossover Network
3. Push button binding post input terminals

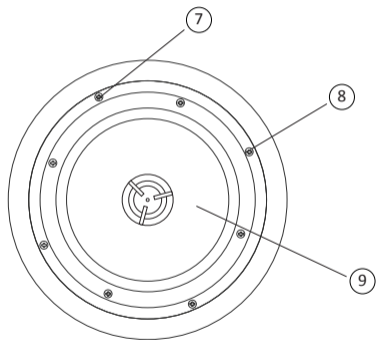
PRODUCT DIAGRAMS



Side Drawing:

- 4. Coaxial driver
- 5. Mounting clamp screws (x4)
- 6. Front grill cover

PRODUCT DIAGRAMS



Front Drawing (grill removed):

- 7. Mounting clamp screws (x4)
- 8. Coaxial driver assembly
- 9. Coaxial driver

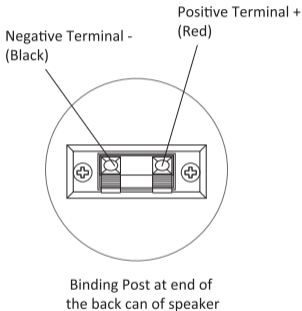
SPEAKER CONNECTION

All wiring should be done prior to installation and then plugged into the rear of the speaker.

Wiring is terminated at a snap-lock input connector. There are 2 terminals, one positive and one negative to accommodate speakers wiring of the system.

Keep the same polarity terminals wired together to ensure correct speaker polarity. In order to provide the best possible sound, all speakers in a system need to be pushing out and pulling in at the same time (same phase), therefore all speakers must be wired with the same polarity.

If the connections to one speaker in a system are reversed from the others, that speaker's movement will be out of phase with the other speakers. This results in a loss of low frequency response and will affect the overall performance of the system.



INSTALLATION

For suspended false ceilings, start by cutting a circular hole according to the mounting cut-out diameter for the appropriate model where the speaker will be installed. The edge of the hole must be a minimum of 12mm away from the side of any obstruction to ensure that they will not interfere with the action of the clamps. Make sure the mounting clearance behind the speaker is adequate enough before any installation. With the front grill removed, use pre-prepared wiring to connect the speaker terminals according to speaker connection stated above. Position the unscrewed swing-out clamps so that they are against the body of the speaker and insert the speaker into the opening in the ceiling. Tighten the clamps by turning the clamping screws clockwise. Do not over-tighten the clamps - only tighten until the speaker is fairly snug in the mounting hole. If using an electric screw driver, set the clutch on the driver to the lowest setting. Re-install the speaker's grill. Push the speaker grill in until it can go no further. Then, slap around the edge of the grille to seat the grille. The grill is properly seated when it is flush with the edge of the baffle ring. To remove the grill, insert a pocket knife blade between the grill and the baffle ring about 8mm deep and then gently pry the grill upwards. Do this in multiple places around the circumference of the grill to free the grill.

PAINTING THE SPEAKER

Noxaudio ceiling speakers can be painted to match any interior colour scheme. Before painting, remove the grill and cover the speaker panel with a shield. Use a good quality spray paint to paint the baffle ring and grill. Make sure there is no excess paint for the grill that will block the perforations which will affect the sound quality of the speaker.

WARRANTY

NOX Audio products are protected by 1yr warranty from factory faults, the buyer must keep the original purchase invoice with the model number, serial number and date of purchase from the authorized dealer of NOX Audio to enjoy the warranty. To obtain the warranty service, the buyer should contact the local NOX Audio dealer with the description of problem on the product and provide the invoice and serial number of the product. Any repair service for defects after the warranty period will be charged according to local dealer's service and parts charges. If the products are modified or adapted in order to comply with some safety standards in a national or local level in any country which is not the product that was originally developed and manufactured by NOX Audio ,the status will not be considered a factory fault. Free inspection and maintenance/repair work are excluded from this warranty, in particular, if caused by improper handling of product by user and normal wear and tear.

Damage/defects caused by the following conditions will not be covered by this warranty:

- Improper handling, neglect or failure to operate the unit in compliance with the owner's manual provided with the products.
- Connection or operation of the product in any way that is not complying with the technical or safety regulations in the country where it is used.
- Damage/defects caused by force majeure or any of the conditions that is beyond the control of NOX Audio.
- Any repair or opening of the unit carried out by unauthorized personnel including the user will void this warranty.

If the defected product inspected by the local dealer shows the defect in question is not covered by this warranty, the repair and inspection cost will be payable by the buyer. The warranty does not exclude or limit the buyer's statutory rights provided by law in the country where it is used since the law in different countries for warranty regulations are different. For more details of this warranty, please contact your local dealer.

SPECIFICATIONS	C5	C6	C8
Frequency Response	90Hz - 20kHz	80Hz - 20kHz	55Hz - 20kHz
Impedance	8Ω		
Sensitivity (1W@1m)	91dB	93dB	93dB
Power Rating	40W	60W	60W
Input Terminals	Cable Connection		
Woofer Type	5" Polypropylene Cone	6" Polypropylene Cone	8" Polypropylene Cone
Tweeter Type	1/2" Mylar Tweeter	1/2" Mylar Tweeter	1/2" Mylar Tweeter
Coverage Angle	110°	110°	110°
Mounting Cutout	170mm	200mm	240mm
Min. Verticle Clearance	90mm	100mm	115mm
Dimensions (Dia x Depth)	203mm Dia x 80mm	230mm Dia x 90mm	270mm Dia x 105mm
Net Weight	1.0 Kgs	1.35 Kgs	1.7 Kgs
Baffle Ring/ Grill color	Off-White		

MEMO

Nox Audio

E sales@noxaudio.com

W www.noxaudio.com

Copyright © Winter, 2019, Nox Audio by Syncrotek Holding. All rights reserved. Due to constant improvement of products, all or some specifications are therefore subject to change without prior notice.



Technical Department

techsupport@noxaudio.com
