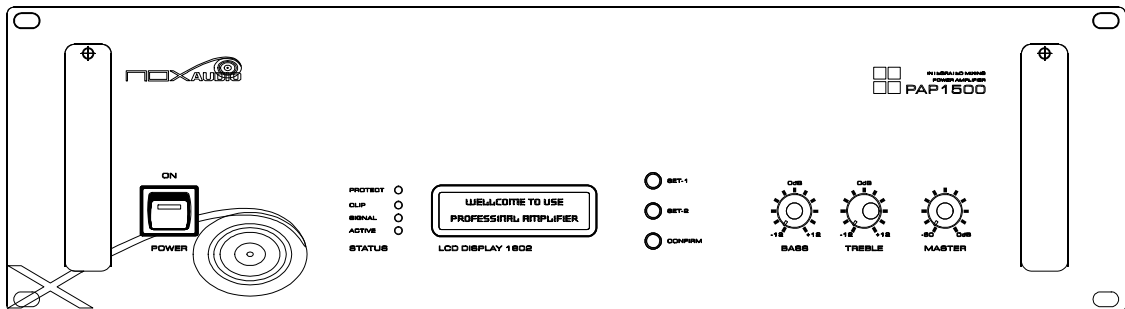
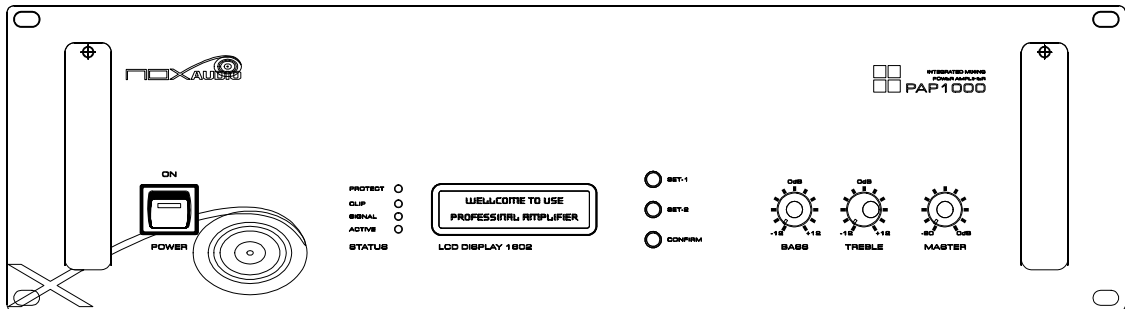
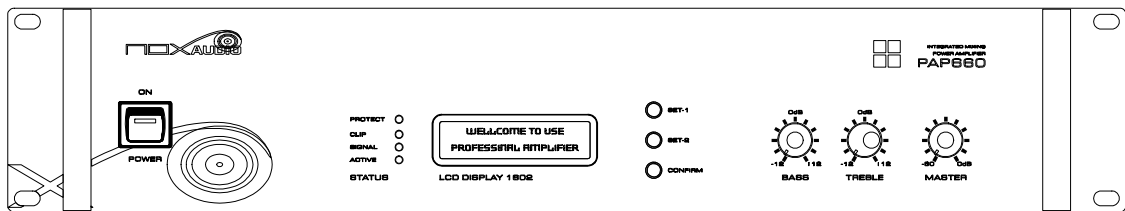


ENGLISH

PAP660
PAP1000
PAP1500
Mixing Amplifier



IMPORTANT SAFETY INSTRUCTIONS

- 1 (Read this manual carefully
- 2 (Keep this manual for future use
- 3(Read all warning signs on the machine
- 4 (Follow all instructions
- 5 (Do not use this apparatus near water
- 6(Clean only with dry cloth
- 7(Do not install this apparatus near any heat sources such as radiation, heat register, stoves, or other electronics apparatus that produce heat
- 8(Do not defeat the safety purpose of the polarized or grounding plug.
- 9(Do not block any ventilation of the apparatus.
- 10(Protect the power cord from being walked on or pinched particularly at plugs..
- 11(Use only the accessories supplied by the manufacturer
- 12 (Use only with the cart, stand, tripod, bracket or table specified by the manufacturer
- 13 (Service or repair this apparatus by qualified personel only
- 14(Disconnect the power supply whenever you do not use it for a longer period or during lightning



Important Mains Plug Wiring Instructions

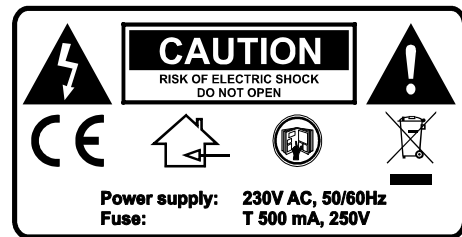
The unit is supplied with a moulded mains plug fitted to the AC mains power lead. Follow the instructions below if the mains plug has to be replaced. The wire which is coloured Green/Yellow or Green must be connected to the terminal in the plug which is marked with the letter E or with the Earth symbol.

This appliance must be earthed.

The wire which is coloured Blue or White must be connected to the terminal in the plug which is marked with the letter N. The wire which is coloured Brown or Black must be connected to the terminal in the plug which is marked with the letter L.

HEALTH HAZARD!

The system can produce very high sound pressure level. Use the necessary care to avoid hearing damage when using the product at close distance



WARNING

TO REDUCE THE RISK OF FIRE OR ELECTRIC SHOCK DO NOT EXPOSE THIS EQUIPMENT TO RAIN OR MOISTURE

CAUTION

Turn the amplifier on last and off first!

WARNING

TO PREVENT INJURY THIS APPARATUS MUST BE SECURELY ATTACHED TO THE FLOOR/WALL IN ACCORDANCE WITH THE INSTALLATION IN INSTRUCTIONS

There are no serviceable parts inside this device. Maintenance and service operations are only to be carried out by authorized dealers.

FEATURES AND SPECIFICATIONS

MX Series is designed to meet all the needs of system integrators, in commercial and industrial applications, with extreme flexibility & stable performance, that can be used in a wide range of applications including schools, hospitals, factories, restaurant, cafes, houses of worship, Gymnasium, Retail & A/V. Easily configured for a range of uses such as background music, paging and evacuation.

FEATURES

- High performance 600 watt, 1000 watt, and 1500 watt Power Amplifier
- Bass & Treble controls.
- Integrated speech filters.
- Operates 115 V / 230V AC.
- Short, overheat & DC protection.
- MIC1 is top priority and it will mute all the other inputs.
- MP3 is built-in with Blue Tooth connection.

SPECIFICATIONS

Input Connectors:

AUX BALANCE: COMBO input with balance signal (500mV).

AUX UNBALANCE: Gold plated RCA cinch, where had summed internal for the stereo input.

Outputs Connectors:

Speakers: Binding post 8Ohm - 70V - 100V

Power output:

PAP660: 660W for all outputs.

PAP1000: 1000W for all outputs.

PAP1500: 1500W for all outputs.

Tone control:

Bass: ± 10 dB - 100 Hz

Treble: ± 10 dB - 10 kHz

Frequency response:

25 Hz - 22 kHz

Signal to Noise ratio:

<99 dB, 22 Hz - 22 kHz

Line S/N Ratio::

Better than 86 dB, 22 Hz - 22 kHz

Total Harmonic Distortion: > 0.2%

Dimensions [H x W x D]:

PAP660:

89 x 483 x 374 mm (51/4 x 19 x 19.95 inch)
(Detachable 19" brackets included)

PAP1000 / 1500:

133 x 483 x 456 mm (31/2 x 19 x 14.7 inch)
(Detachable 19" brackets included)

Power supply:

115v and 230v selectable

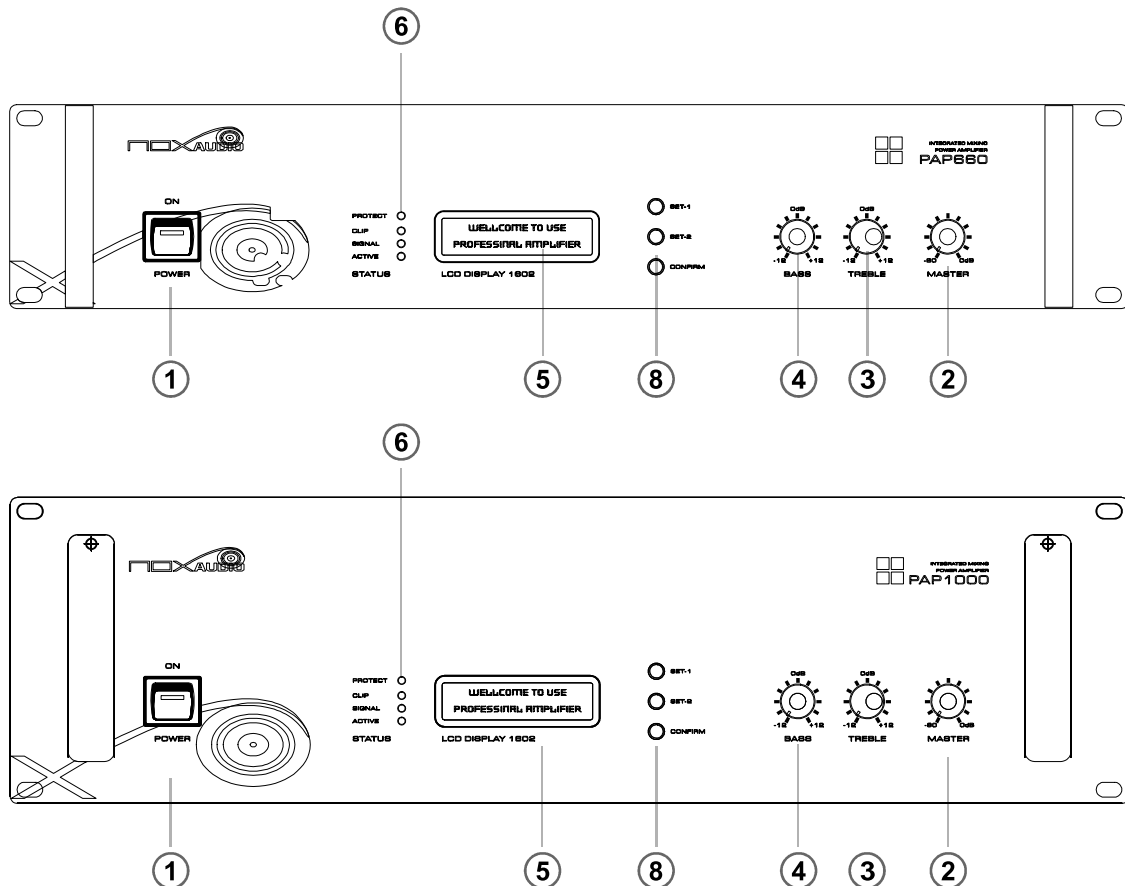
Weight:

PAP660: 16.50Kg (36.20lb)

PAP1000: 27.0Kg (59.40lb)

PAP1500: 29.0Kg (63.80lb)

CONTROLS AND CONNECTIONS



1. POWER SWITCH

Switching the apparatus On or Off

2. MASTER VOLUME CONTROL

Control the volume level of the signal output of the amplifier

3. TREBLE LEVEL CONTROL

Control the high frequency level for the signal

4. BASS LEVEL CONTROL

Control the low frequency level for the signal

5. LCD display

Display the working status of the amplifier, TA is the temperature of the amplifier heatsink
TB is the temperature of inside of the chassis; VA is the volume percentage of the amplifier,
VB is none use.

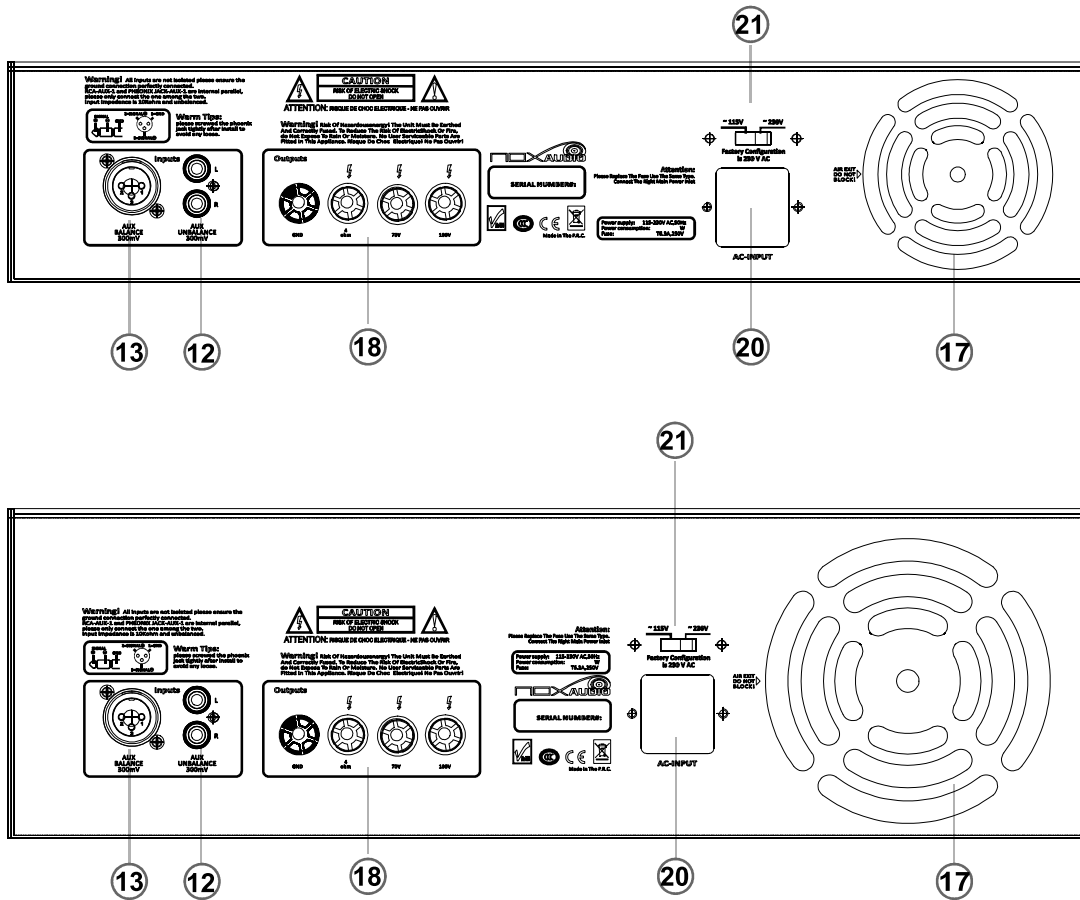
6. LEVEL INDICATORS/ PROTECTION INDICATOR

Series of Green LEDs indicating the power on and volume level output. In all circumstance, the output level should be kept under 0 dB. Otherwise the limiter will be activated and the clip indicator Red LED will be lit. Continuous operation in clipping condition may cause permanent damage to the amplifier. Protection indicator in Red LED will be lit once any of the protection circuits against overheat, short circuit, low impedance etc. are activated and therefore the amplifier audio outputs will be muted.

8. KEY PAD

These keys are only for factory / dealer / installer uses and guarantee purpose.

CONTROLS AND CONNECTIONS



12. AUX UNBALANCE INPUT

Gold plated RCA cinch, 500mV, where had summed internal for the stereo input.

13. AUX BALANCE INPUT

COMBO input with balance signal (500mV).

17. HOT AIR EXIT

Cooling fan area and the cool air from front go through to the back to guarantee the right temperature which the amp is working on please do not block this exit.

18. POWER OUTPUT

Here is high voltage please take care! Here had include 4ohm-70V-100V total 3outputs please connect the right load respectively to the right terminal. Wrong connection may cause the dangerous to the unit!

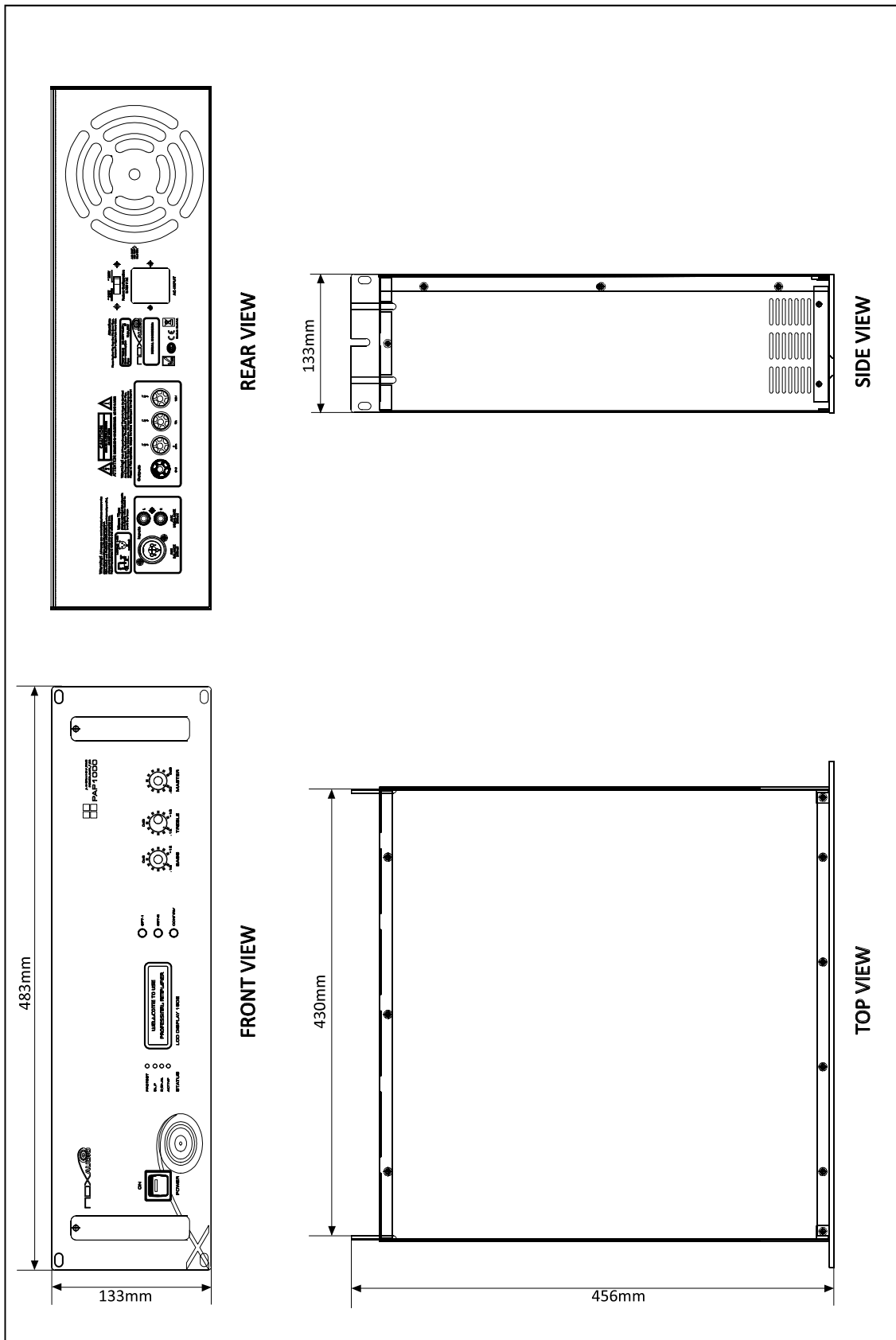
20. MAIN POWER SOCKET

Connect to IEC type power cord provided. The socket contain of a 6.3AT fuse for protection. Refer to qualified personel for replacement of the fuse

21. VOLTAGE SELECTOR

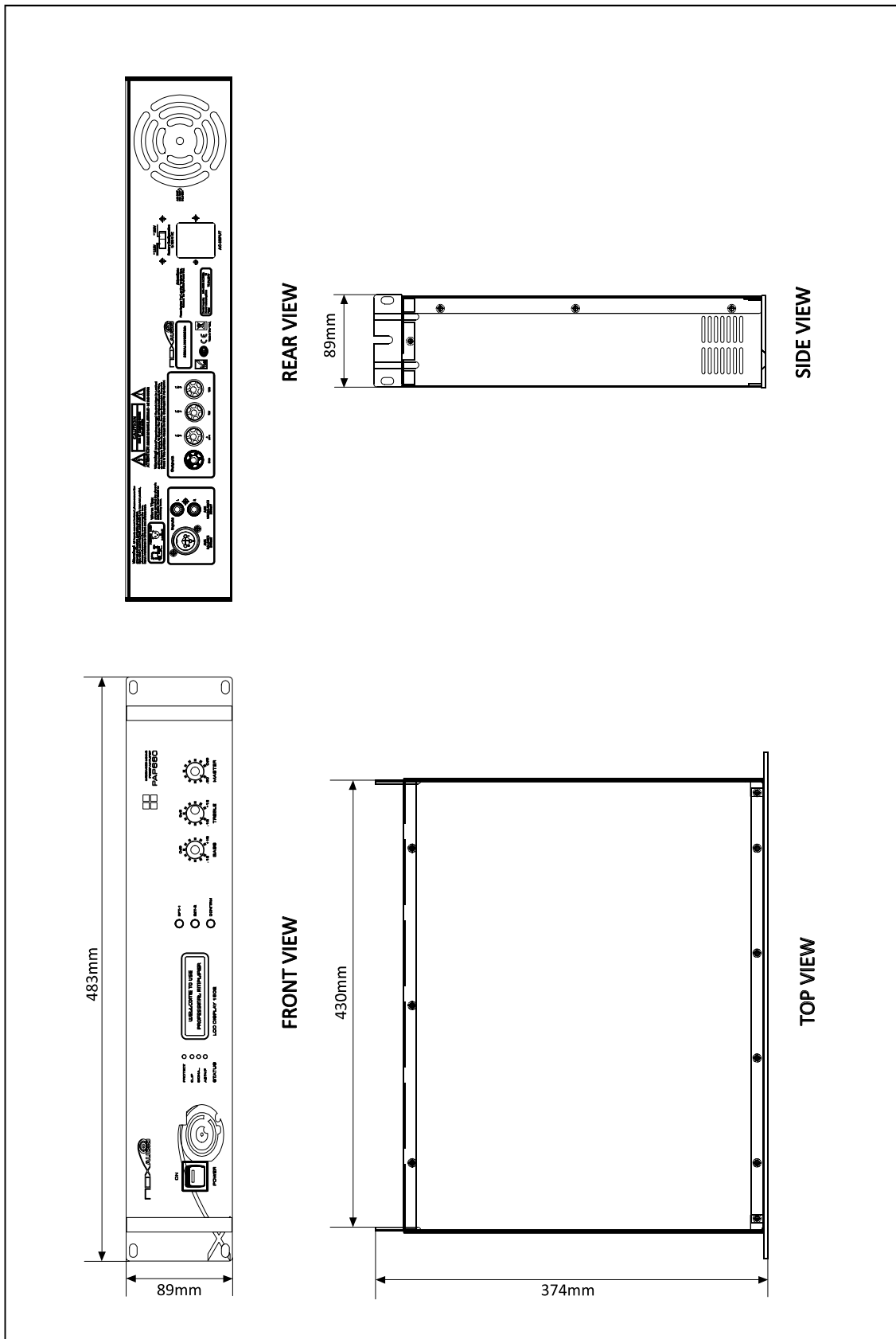
115Vac or 230Vac selectable for this selector, the amplifier default setting is 230Vac. Make sure the voltage should your city voltage supply.

CONTROLS AND CONNECTIONS



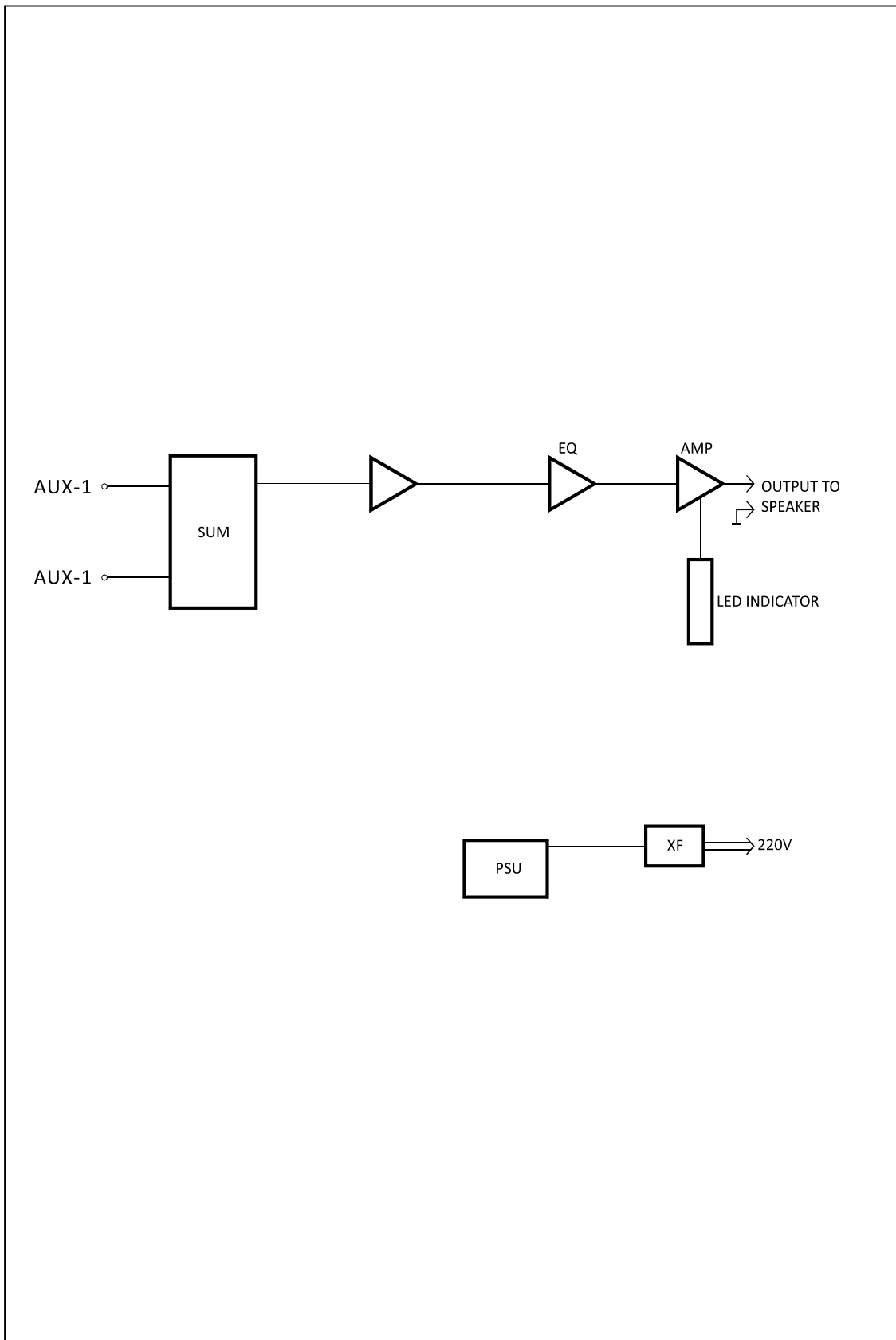
PAP1000 / PAP1500 dimensions.

DIMENSION DRAWING



PAP660 dimensions.

BLOCK DIAGRAM



WARRANTY

NOX Audio products are protected by 1yr warranty from factory faults, the buyer must keep the original purchase invoice with the model number, serial number and date of purchase from the authorized dealer of NOX Audio to enjoy the warranty.

To obtain the warranty service, the buyer should contact the local NOX Audio dealer with the description of problem on the product and provide the invoice and serial number of the product.

Any repair service for defects after the warranty period will be charged according to local dealer's service and parts charges.

If the products are modified or adapted in order to comply with some safety standards in a national or local level in any country which is not originally developed and manufactured by NOX Audio, the status will not be considered a factory fault.

Free inspection and maintenance/repair work are excluded from this warranty, in particular, if caused by improper handling of product by user and normal wear and tear.

Damage/defects caused by the following conditions will not be covered by this warranty:

- Improper handling, neglect or failure to operate the unit in compliance with the owner's manual provided with the products.
- Connection or operation of the product in any way that is not complying with the technical or safety regulations in the country where it is used.
- Damage/defects caused by force majeure or any of the conditions that is beyond the control of NOX Audio.
- Any repair or opening of the unit carried out by unauthorized personnel including the user will void this warranty.

If the defected product inspected by the local dealer shows the defect in question is not covered by this warranty, the repair and inspection cost will be payable by the buyer.

The warranty does not exclude or limit the buyer's statutory rights provided by law in the country where it is used since the law in different countries for warranty regulations are different. For more details of this warranty, please contact your local dealer.

Nox Audio

E sales@noxaudio.com

W www.noxaudio.com

Copyright @Winter, 2019, Nox Audio by Syncrotek Holding. All rights reserved Due to constant improvement of products, all or some specifications are therefore subject to change without prior notice..



Technical Department
techsupport@noxaudio.com