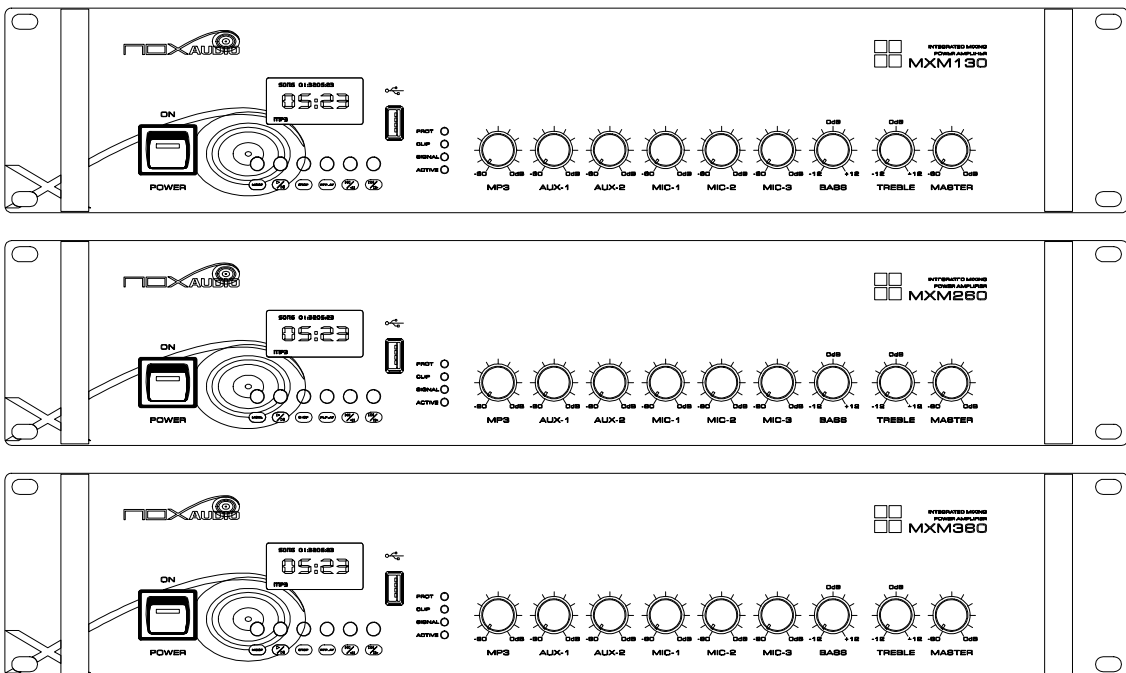


ENGLISH

MXM130
MXM260
MXM360
Mixing Amplifier



IMPORTANT SAFETY INSTRUCTIONS

- 1 (Read this manual carefully
- 2 (Keep this manual for future use
- 3(Read all warning signs on the machine
- 4 (Follow all instructions
- 5 (Do not use this apparatus near water
- 6(Clean only with dry cloth
- 7(Do not install this apparatus near any heat sources such as radiation, heat register, stoves, or other electronics apparatus that produce heat
- 8(Do not defeat the safety purpose of the polarized or grounding plug.
- 9(Do not block any ventilation of the apparatus.
- 10(Protect the power cord from being walked on or pinched particularly at plugs..
- 11(Use only the accessories supplied by the manufacturer
- 12 (Use only with the cart, stand, tripod, bracket or table specified by the manufacturer
- 13 (Service or repair this apparatus by qualified personel only
- 14(Disconnect the power supply whenever you do not use it for a longer period or during lightning



Important Mains Plug Wiring Instructions

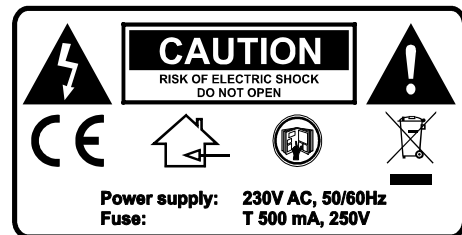
The unit is supplied with a moulded mains plug fitted to the AC mains power lead. Follow the instructions below if the mains plug has to be replaced. The wire which is coloured Green/Yellow or Green must be connected to the terminal in the plug which is marked with the letter E or with the Earth symbol.

This appliance must be earthed.

The wire which is coloured Blue or White must be connected to the terminal in the plug which is marked with the letter N. The wire which is coloured Brown or Black must be connected to the terminal in the plug which is marked with the letter L.

HEALTH HAZARD!

The system can produce very high sound pressure level. Use the necessary care to avoid hearing damage when using the product at close distance



WARNING

TO REDUCE THE RISK OF FIRE OR ELECTRIC SHOCK DO NOT EXPOSE THIS EQUIPMENT TO RAIN OR MOISTURE

CAUTION

Turn the amplifier on last and off first!

WARNING

TO PREVENT INJURY THIS APPARATUS MUST BE SECURELY ATTACHED TO THE FLOOR/WALL IN ACCORDANCE WITH THE INSTALLATION IN INSTRUCTIONS

There are no serviceable parts inside this device. Maintenance and service operations are only to be carried out by authorized dealers.

FEATURES AND SPECIFICATIONS

MX Series is designed to meet all the needs of system integrators, in commercial and industrial applications, with extreme flexibility & stable performance, that can be used in a wide range of applications including schools, hospitals, factories, restaurant, cafes, houses of worship, Gymnasium, Retail & A/V. Easily configured for a range of uses such as background music, paging and evacuation.

FEATURES

- High performance 130 watt, 260 watt, and 360 watt 100 Volt Mixing / Amplifier
- Bass & Treble controls.
- Integrated speech filters.
- Operates 115 V / 230V AC.
- Short, overheat & DC protection.
- MIC1 is top priority and it will mute all the other inputs.
- MP3 is built-in with Blue Tooth connection.

SPECIFICATIONS

Inputs Connectors:

MIC 1 :
Balanced 1/4" Jack
MIC 2 & 3 :
Balanced 1/4" Jack.

AUX: Gold plated RCA cinch (500 mV)
Emergency input: Gold plated RCA cinch (500 mV)

Outputs Connectors:

Record out: Gold plated RCA cinch mono (1V)
Speakers: Binding post 8Ohm - 70V - 100V

Power output:

MXM130: 130W for all outputs.
MXM260: 260W for all outputs.
MXM360: 360W for all outputs.

Tone control:

Bass: ± 10 dB - 100 Hz
Treble: ± 10 dB - 10 kHz

Frequency response:
25 Hz - 22 kHz

Signal to Noise ratio:
<99 dB, 22 Hz - 22 kHz

Line S/N Ratio:
Better than 86 dB, 22 Hz - 22 kHz

MIC S/N Ratio:
Better than 74 dB, 22 Hz - 22 kHz

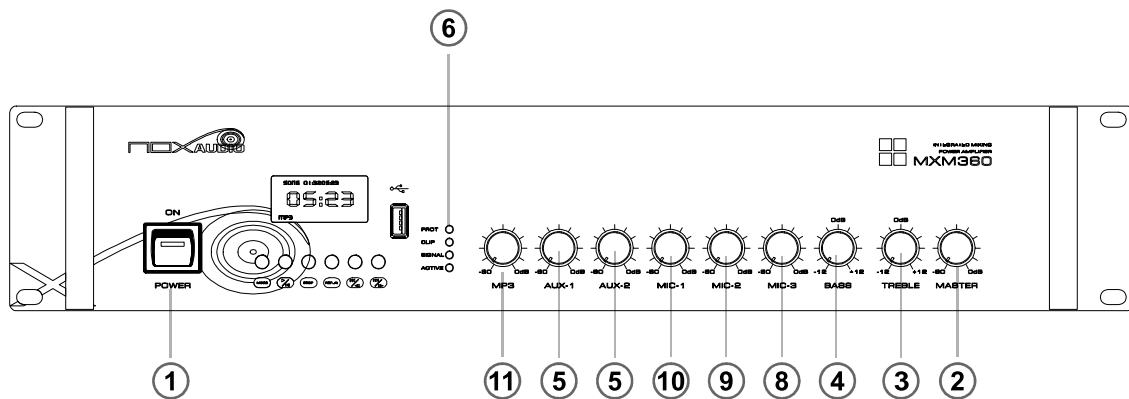
Total Harmonic Distortion: > 0.2%

Dimensions)H x W x D(:
89 x 483 x 374 mm (3 1/2 x 19 x 14.7 inch)
(Detachable 19" brackets included)

Power supply:
115v and 230v selectable

Weight:
MXM130: 9.50Kg (20.90lb)
MXM260: 12.0Kg (26.45lb)
MXM360: 13.0Kg (28.60lb)

CONTROLS AND CONNECTIONS



1. POWER SWITCH

Switching the apparatus On or Off

2. MASTER VOLUME CONTROL

Control the volume level of the signal output of the amplifier

3. TREBLE LEVEL CONTROL

Control the high frequency level for the signal

4. BASS LEVEL CONTROL

Control the low frequency level for the signal

5. AUX1-AUX2 volume control

control the volume of the AUX1-2 inputs on the back respectively.

6. LEVEL INDICATORS/ PROTECTION INDICATOR

Series of Green LEDs indicating the power on and volume level output. In all circumstance, the output level should be kept under 0 dB. Otherwise the limiter will be activated and the clip indicator Red LED will be lit. Continuous operation in clipping condition may cause permanent damage to the amplifier. Protection indicator in Red LED will be lit once any of the protection circuits against overheat, short circuit, low impedance etc. are activated and therefore the amplifier audio outputs will be muted.

8. MIC3 volume control

control the volume of the MIC3 input respectively.

9. MIC2 volume control

control the volume of the MIC2 input respectively.

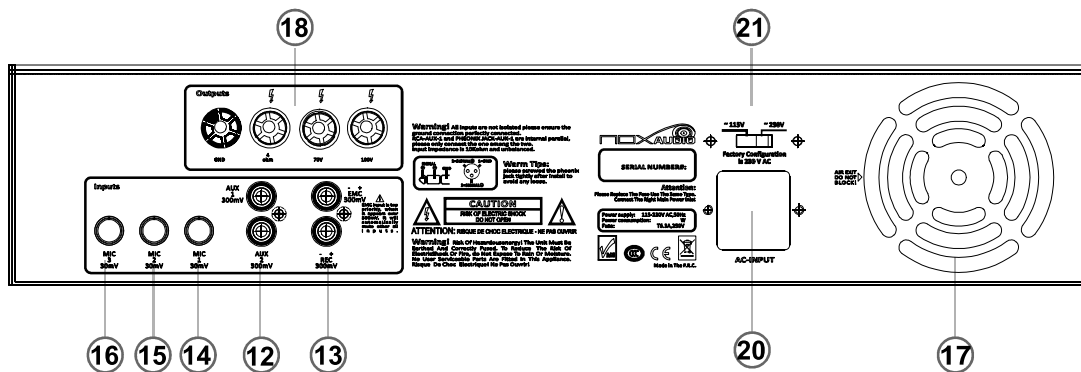
10. MIC1 volume control

control the volume of the MIC1 input respectively.

11. MP3 volume control

control the volume of the Mp3 player include the blue tooth.

CONTROLS AND CONNECTIONS



12. AUX1 & AUX2 input

Mono AUX +300mV input with the single side RCA, stereo RCA but independent input.

13. EMC MONO / RECORD OUT

Mono EMC input +300mV with the single side RCA, stereo RCA but independent input, EMC has the first priority over any other inputs.

Mixing signal can be achieved from the RECORD OUT RACE to any recording device such as tap, MD recorder etc. The RECORD OUT signal had not been controlled, so signal leveling device required for connection to MIC input of other devices.

14. MIC1 INPUT

Connect microphone to the 1/4 TRS connector by balanced connection, MIC1 has the first priority over any other inputs.

15. MIC2 INPUT

Connect microphone to the 1/4 TRS connector by balanced connection.

16. MIC3 INPUT

Connect microphone to the 1/4 TRS connector by balanced connection.

17. HOT AIR EXIT

Cooling fan area and the cool air from front go through to the back to guarantee the right temperature which the amp is working on please do not block this exit.

18. POWER OUTPUT

Here is high voltage please take care! Here had include 4ohm-70V-100V total 3outputs please connect the right load respectively to the right terminal. Wrong connection may cause the dangerous to the unit!

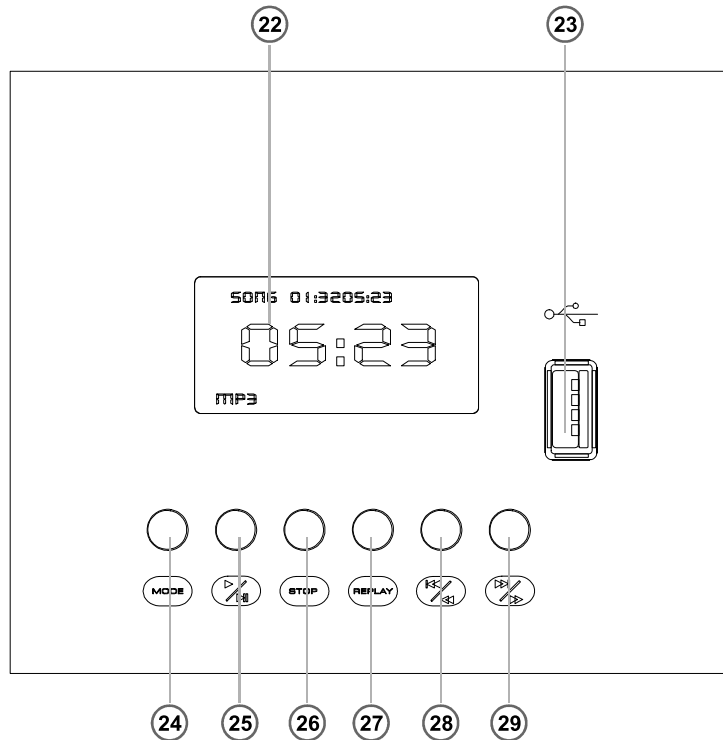
20. MAIN POWER SOCKET

Connect to IEC type power cord provided. The socket contain of a 6.3AT fuse for protection. Refer to qualified personel for replacement of the fuse

21. VOLTAGE SELECTOR

115Vac or 230Vac selectable for this selector, the amplifier default setting is 230Vac. Make sure the voltage should your city voltage supply.

CONTROLS AND CONNECTIONS



22. LCD DISPLAY

LCD display show the songs name and numbers; tells the FM / AMP frequencies and storage positions; shows the working mode and timing etc contents.

23. USB SOCKET

Connect to a authorized USB storage / sticker which had stored the respectively songs / music.

24. MODE

Switch the functions of the Mp3 player from Mp3, blue-tooth, AUX1 / 2 (this function will not be supported at some version please check with respectively dealer), RADIO AM / FM.

25. PLAY / PAUSE

Switch play / pause function, then pause activate then the LCD will be plashing and no output and respectively Play activate then time is running and signal will be presented.

26. STOP

When the Stop activate, the Mp3 player will totally stop working, no output.

27. REPLAY

Only activate at the Mp3 mode, replay 1 songs or replay all songs you can choose by switch this botton.

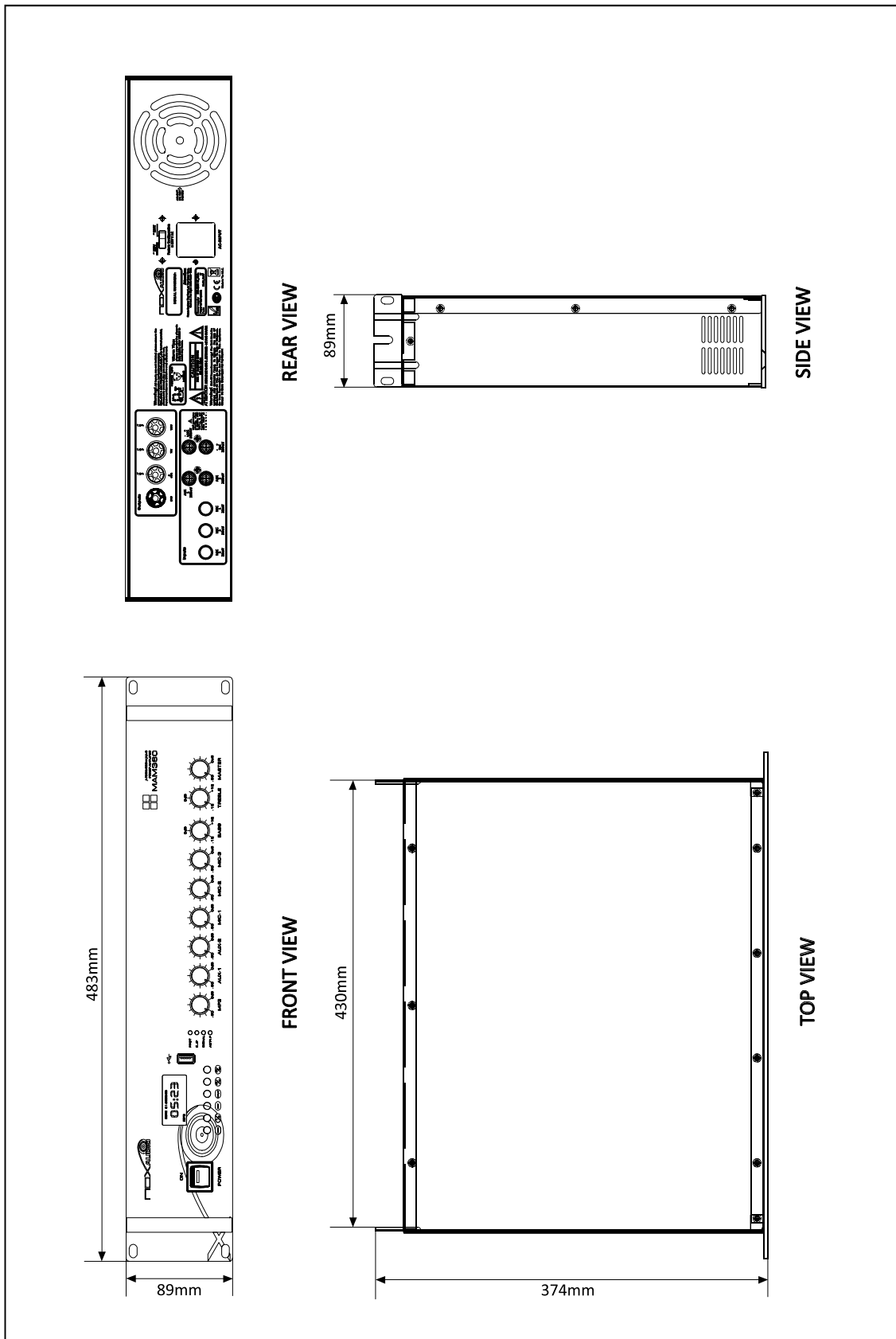
28. PREVIOUS / FAST REVERSE

One press switch to previous song / storage channel, long press then fast reversing / back searching channel.

28. NEXT / FAST FORWARD

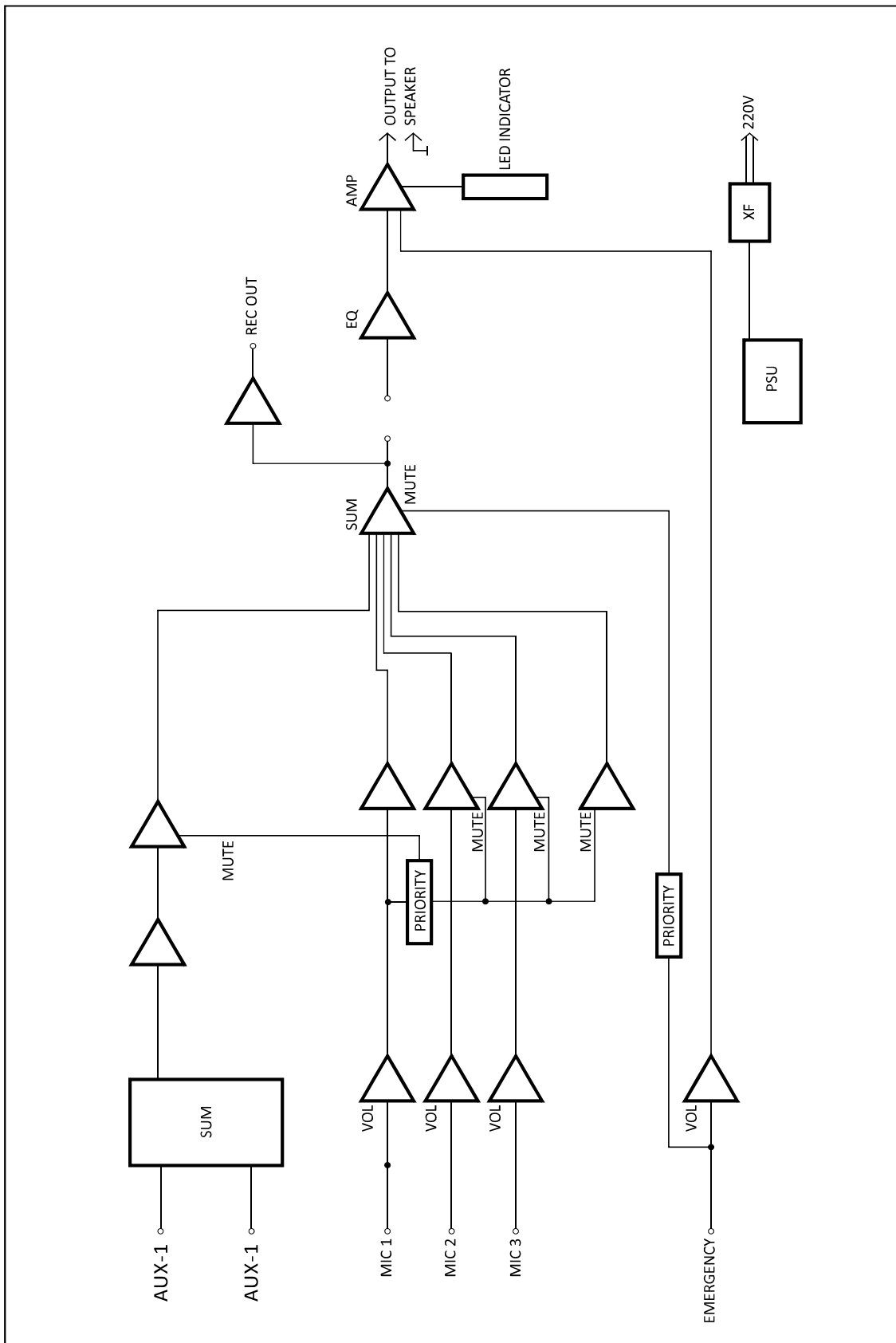
One press switch to next song / storage channel, long press then fast forwarding / searching channel.

DIMENSION DRAWING



MXM130, MXM260 and MXM360 have the same dimensions.

BLOCK DIAGRAM



WARRANTY

NOX Audio products are protected by 1yr warranty from factory faults, the buyer must keep the original purchase invoice with the model number, serial number and date of purchase from the authorized dealer of NOX Audio to enjoy the warranty.

To obtain the warranty service, the buyer should contact the local NOX Audio dealer with the description of problem on the product and provide the invoice and serial number of the product.

Any repair service for defects after the warranty period will be charged according to local dealer's service and parts charges.

If the products are modified or adapted in order to comply with some safety standards in a national or local level in any country which is not originally developed and manufactured by NOX Audio, the status will not be considered a factory fault.

Free inspection and maintenance/repair work are excluded from this warranty, in particular, if caused by improper handling of product by user and normal wear and tear.

Damage/defects caused by the following conditions will not be covered by this warranty:

- Improper handling, neglect or failure to operate the unit in compliance with the owner's manual provided with the products.
- Connection or operation of the product in any way that is not complying with the technical or safety regulations in the country where it is used.
- Damage/defects caused by force majeure or any of the conditions that is beyond the control of NOX Audio.
- Any repair or opening of the unit carried out by unauthorized personnel including the user will void this warranty.

If the defected product inspected by the local dealer shows the defect in question is not covered by this warranty, the repair and inspection cost will be payable by the buyer.

The warranty does not exclude or limit the buyer's statutory rights provided by law in the country where it is used since the law in different countries for warranty regulations are different. For more details of this warranty, please contact your local dealer.

Nox Audio

E sales@noxaudio.com

W www.noxaudio.com

Copyright @Winter, 2019, Nox Audio by Syncrotek Holding. All rights reserved Due to constant improvement of products, all or some specifications are therefore subject to change without prior notice..



Technical Department
techsupport@noxaudio.com